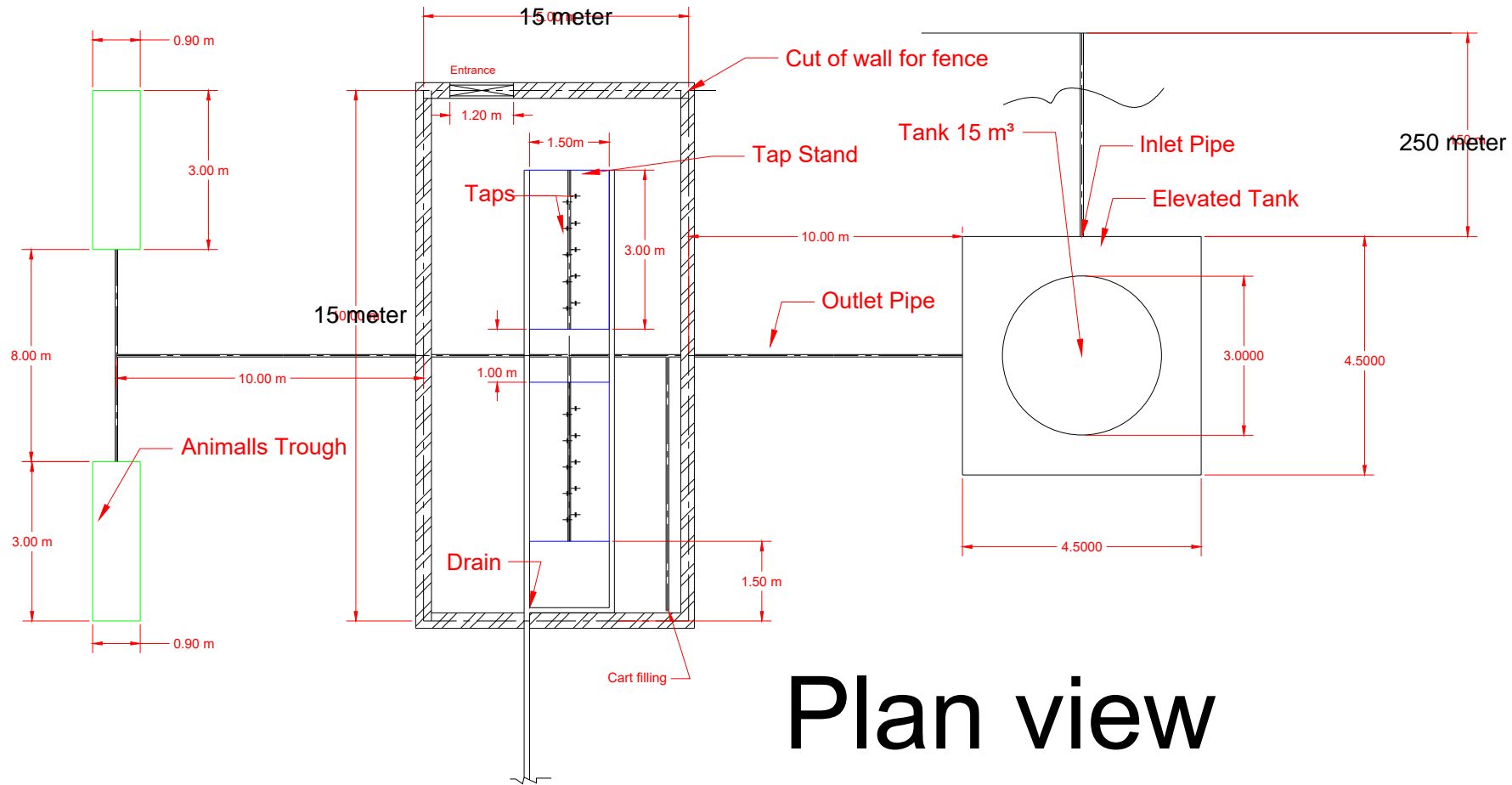


# Water Yard



## Plan view

### General Notes

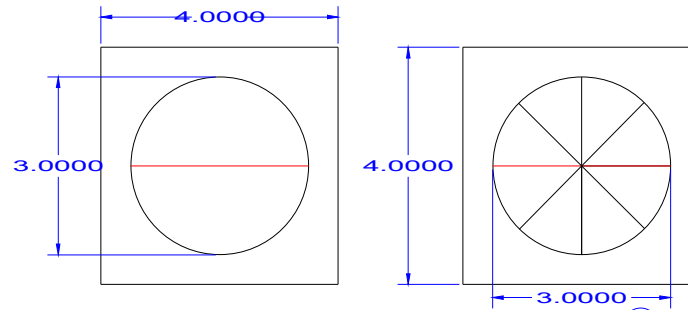
ALL Dimension  
in meter  
All reinforced  
concrete  
should  
be 30 N/mm  
per 28 days  
and 20 N/mm for  
plan concrete  
curing 3 time per  
day for 7 days

No.	Revision/Issue	Date

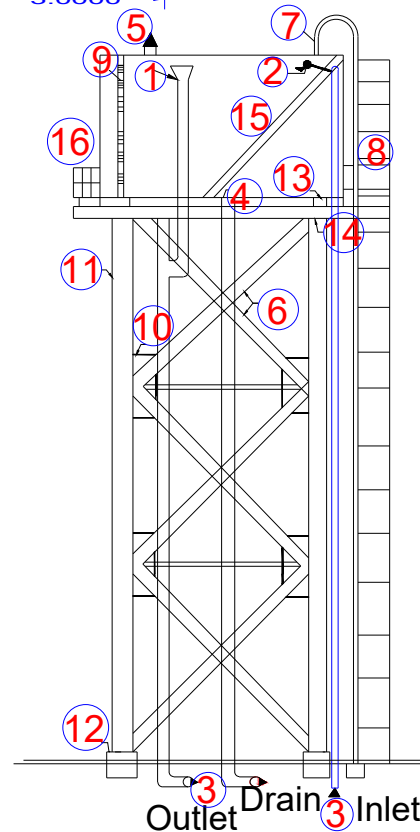
Site Name and Address

Project Name and Address  
Moafa III  
Construction  
of Water Yard

Project CRS Zalingei	Sheet 1
Date 24 July,2024	
Scale 1:1	



No.	
1	OVER FLOW PIPE
2	FLOAT LEVEL VALVE
3	OUTLET INLET PIPE
4	WASH PIPE
5	VENT PIPE
6	DIAGONAL BRACER 175 X 175 X 8 mm
7	MANHOLE COVER 80 X80 cm
8	EXTERNAL LADDER
9	WATER LEVEL INDICATOR
10	GUSSET PLATES 8 mm THICK
11	I section 20 cm
12	HD BOLT BOX 80 X 25 mm
13	I section 16 cm
14	I section 20 cm
15	INTERNAL LADDER
16	BALCONY



General Notes

ALL Dimension  
in meter  
All reinforced  
concrete  
should  
be 30 N/mm  
per 28 days  
and 20 N/mm for  
plan concrete  
curing 3 time per  
day for 7 days

No.	Revision/Issue	Date

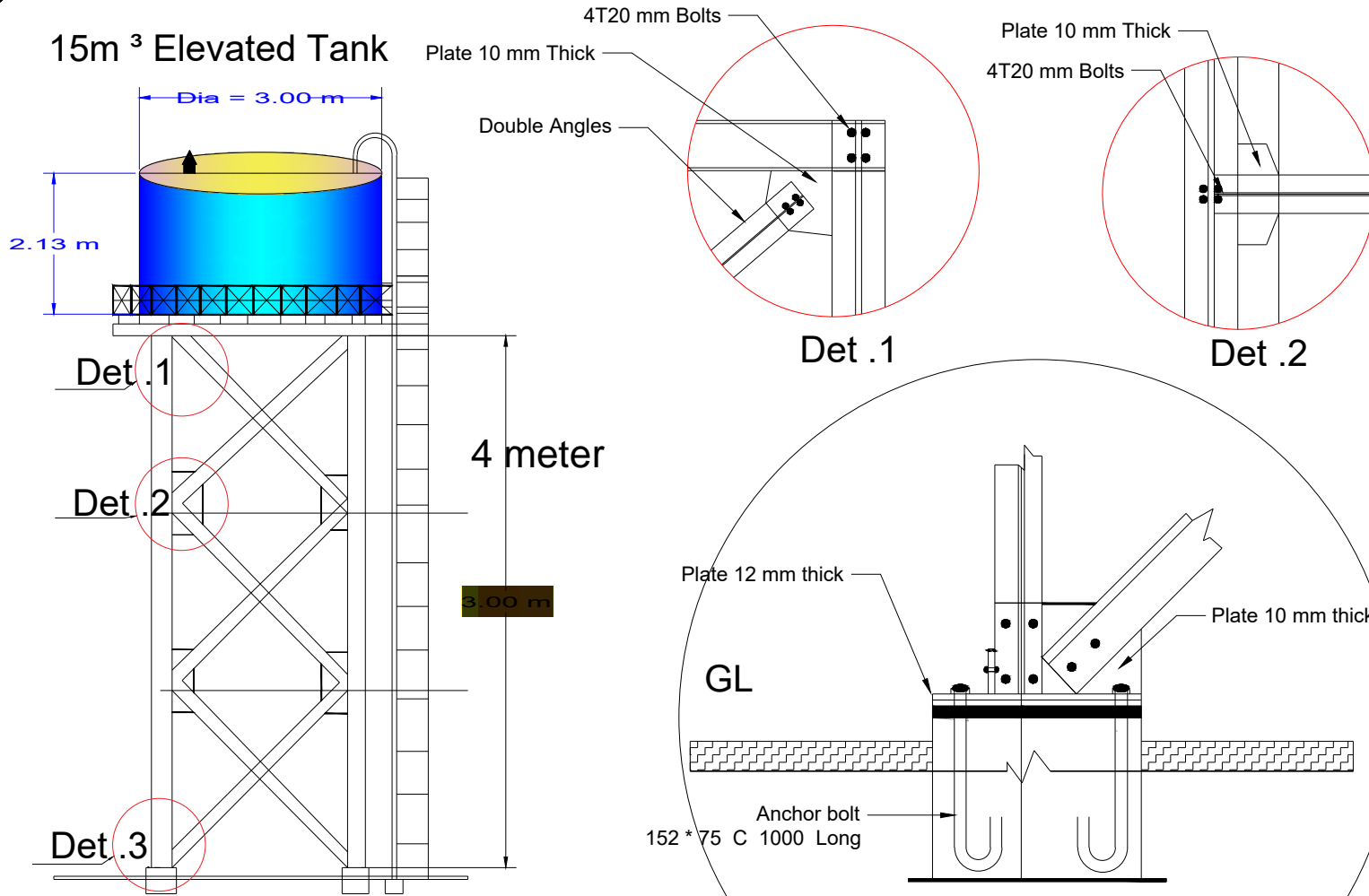
Drawn Name and Address

Project Name and Address  
Moafa III  
Construction  
of Water TOWER

Project	CRS_Zaingei	Sheet
Date	24 July,2024	2
Scale	1:1	

# Water Tower Detail

# 15m<sup>3</sup> Elevated Tank



# Water Tower Detail

General Notes

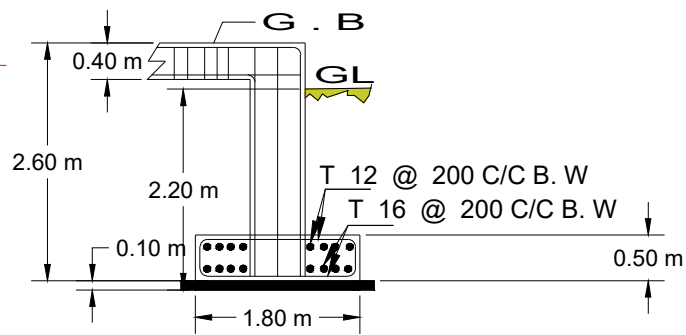
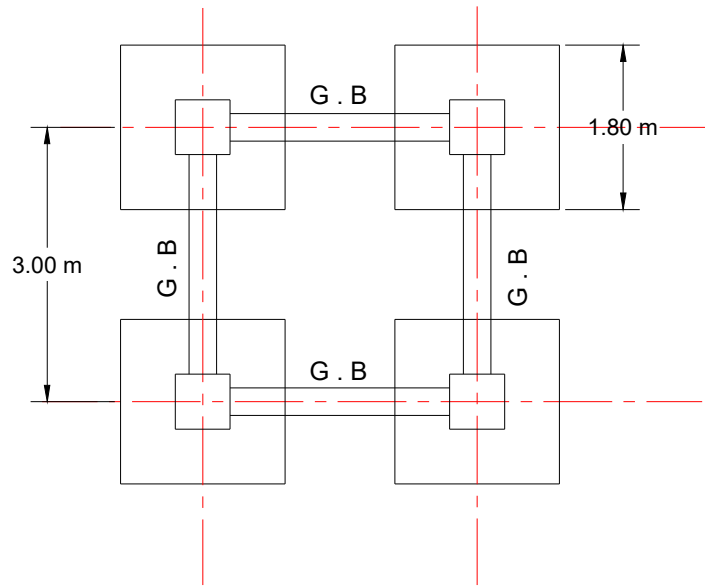
ALL Dimension  
 in meter  
 All reinforced  
 concrete  
 should  
 be 30 N/mm  
 per 28 days  
 and 20 N/mm for  
 plan concrete  
 curing 3 time per  
 day for 7 days

No.	Revision/Issue	Date

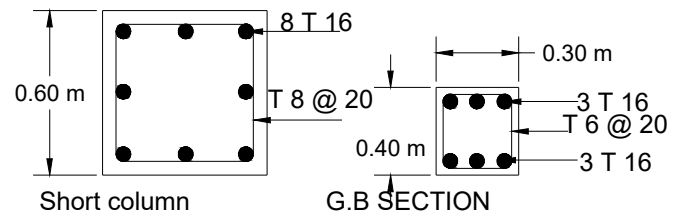
Firm Name and Address

Project Name and Address  
 Moafa III  
 Construction  
 of Water TOWER

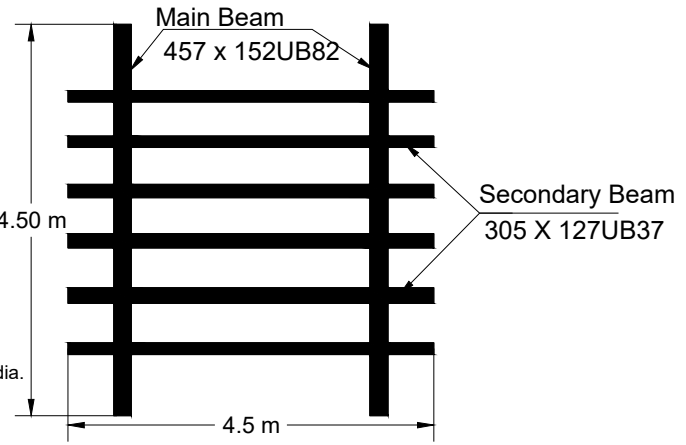
Project	CRS Zalingei	Sheet	3
Date	24 July, 2024		
Scale	1:1		



Frame Top View



4 Anchor Bolts 20 mm dia.  
620 mm long



# FOUNDATION DETAIL

General Notes

ALL Dimension  
in meter  
All reinforced  
concrete  
should  
be 30 N/mm  
per 28 days  
and 20 N/mm for  
plan concrete  
curing 3 time per  
day for 7 days

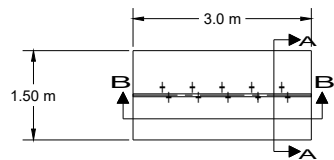
No.	Revision/Issue	Date

Client Name and Address

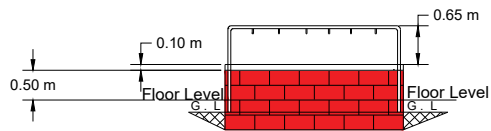
Project Name and Address  
Moafa III  
Construction  
of Water TOWER

Project	Sheet
CRS Zalingei	4
Date	24 July.2024
Scale	1:1

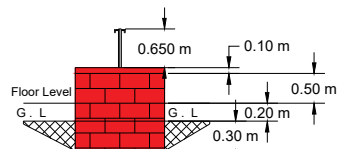
# TAP STAND DETAIL



Tap Stan Plan View

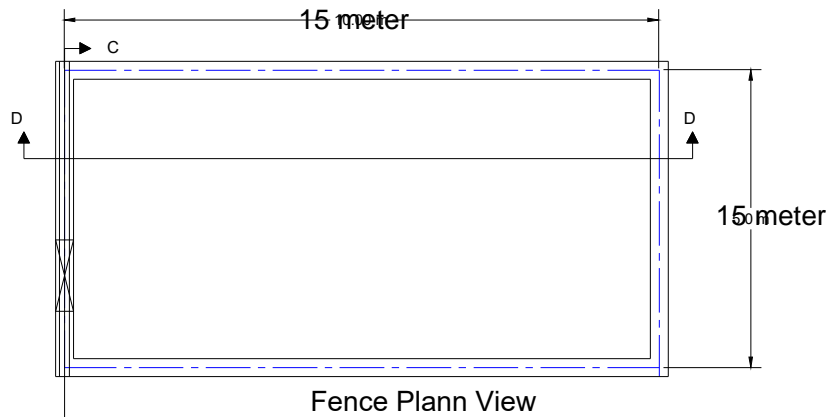


Section B - B

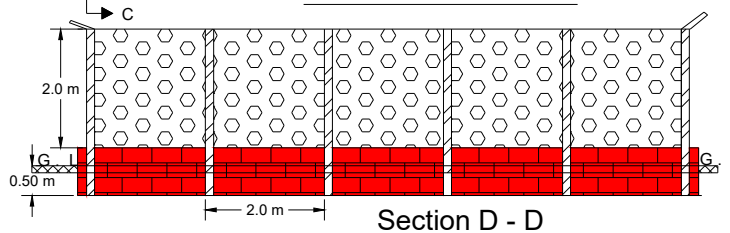


Section A - A

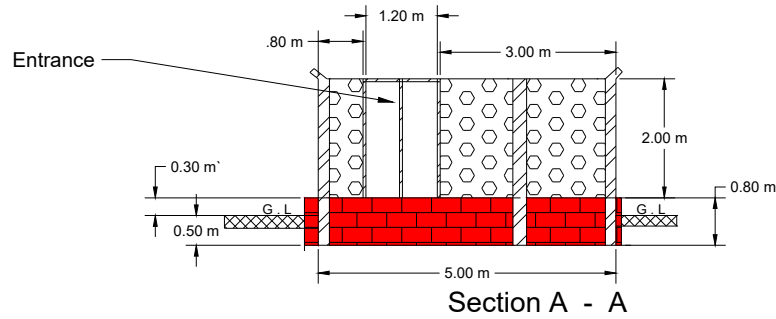
# FENCE DETAIL



Fence Plan View



Section D - D



Section A - A

General Notes

ALL Dimension in meter  
All reinforced concrete should be 30 N/mm per 28 days and 20 N/mm for plan concrete curing 3 time per day for 7 days

No.	Revision/Issue	Date

Firm Name and Address

Project Name and Address

Moafa III  
Construction of  
WaterYard Fence  
& Tap Stand

Project CRS Zalingei

Date 24 July.2024

Scale 1:1

Sheet 5